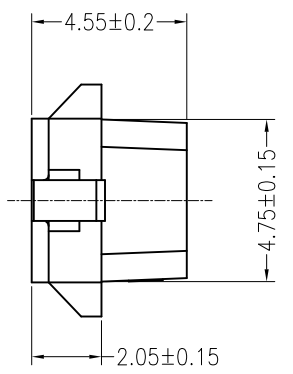
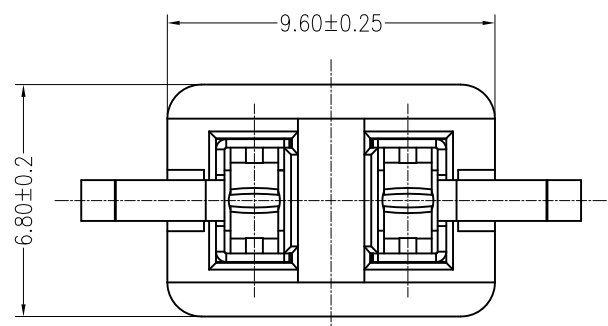
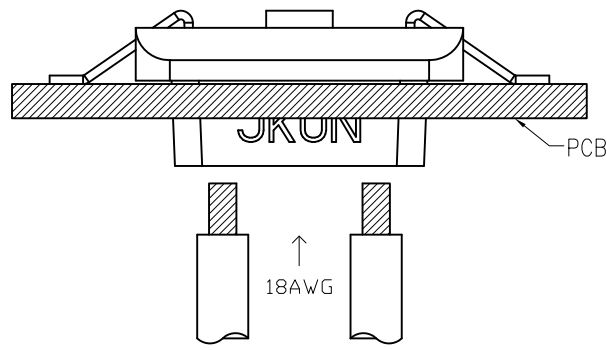
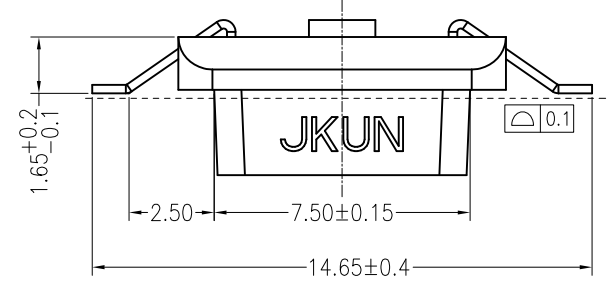
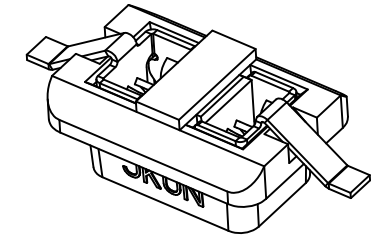


REV	DESCRIPTION	DESIGN	DATE
A0	NEW RELEASE	Lingqing	2019/11/30

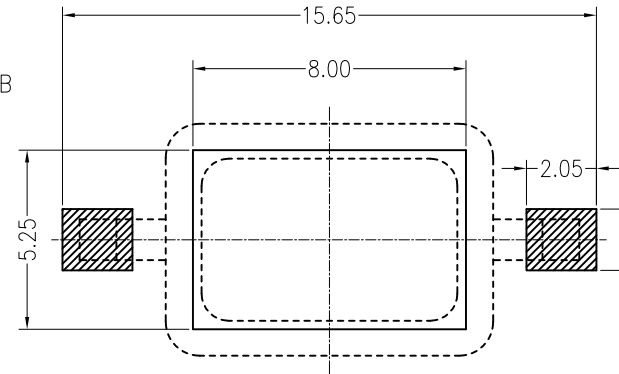


**Specifications:**

- Contact resistance: ≤20mΩ
- Insulation resistance: ≥1000MΩ
- Rated voltage: 275V AC DC
- Rated current: 2.0A AC DC
- Withstand Voltage: 1000V AC/minute
- Temperature Range: -40°C ~ +120°C
- Housing: LCP UL94V-0, BEIGE
- Contacts: Phosphor bronze/MATTE Sn-plated

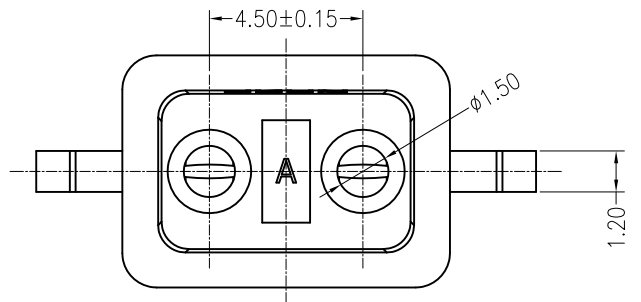


Assembly Layout



Board Layout

General Tolerance: ±0.05



**ORDER INFORMATION:**

<b>L4501AFV-02-F8MB1-R</b>			
PART No.:		PACKAGING:	R=REEL
No.OF CIRCUITS:	02	Metal code:	1=PhosphorBronze
PLASTIC MATERIAL:	F8M=LCP	PLATING:	B=MATTE Sn

<b>JKUN</b> 温州健坤接插件有限公司 WENZHOU JKUN CONNECTOR CO.,LTD.		TITLE: 4.5Pitch 180°wafer smt type	
GENERAL TOLERANCE		USE:	CUSTOMER
X. ±0.50	X. ±5'	APPD:	Liuzhengling
X.X ±0.30	X.X ±2'	CHKD:	Steven
X.XX ±0.20	X.XX ±1'	DR:	Zenglingqing
⊕	UNITS: mm	SCALE	1 : 1
		SHEET	1 / 1