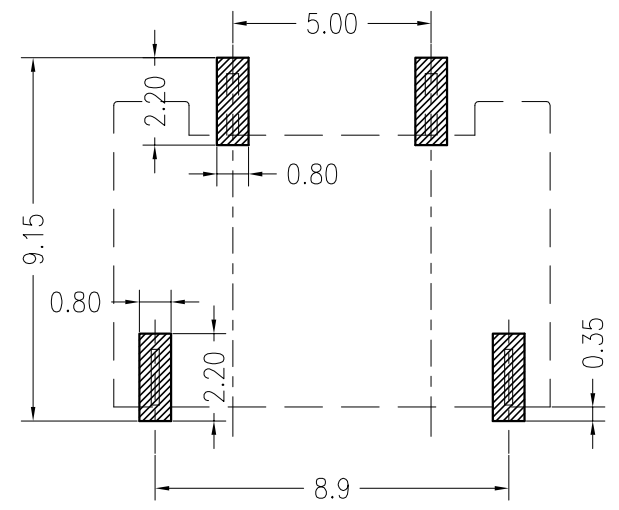
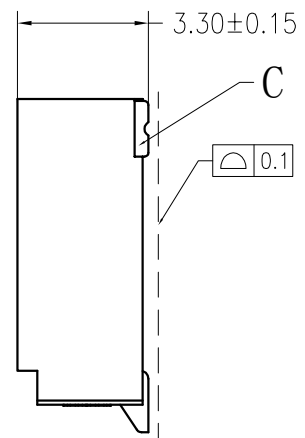
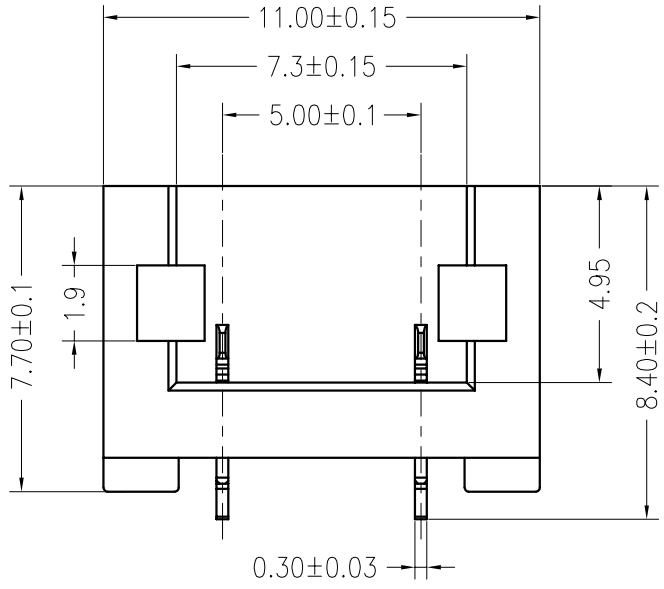
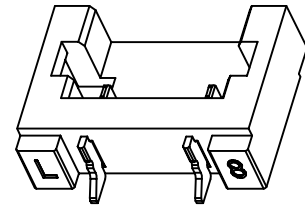
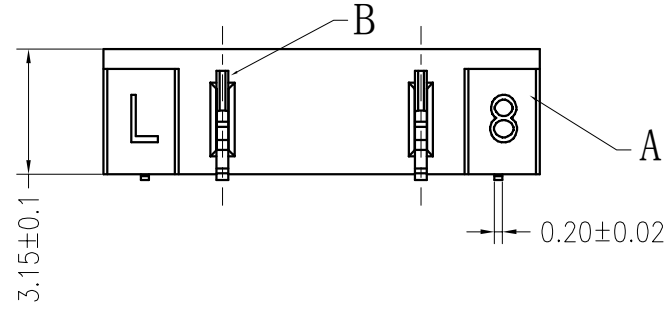


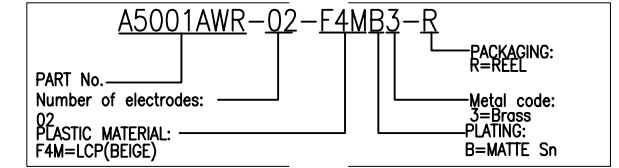
REV	ECN No.	DESCRIPTION	DESIGN	DATE
A0		Release	-	2018.08.15



Board Layout



ORDER INFORMATION:



主要技术参数 Main Specifications

- 线数 (Poles): 02
- 接触电阻 (Contact resistance):  $\leq 20m\Omega$
- 绝缘电阻 (Insulation resistance):  $\geq 1000M\Omega$
- 额定电压 (Rated voltage): 250V AC DC
- 额定电流 (Rated current): 2.0A AC DC
- 耐电压 (Withstand Voltage): 2000V AC/minute
- 温度范围 (Temperature Range):  $-25^{\circ}C \sim +85^{\circ}C$

ITEM	COMPONENT	Q'TY	MATERIAL	FINISH
C	SOLDER TAB	2 PCS	PhosphorBronze	MATTE SN
B	CONTACT	2 PCS	Brass	MATTE SN
A	HOUSING	1 PCS	LCP	UL 94V-0, COLOR:BEIGE

JKUN 温州健坤接插件有限公司 WENZHOU JKUN CONNECTOR CO., LTD.		TITLE: - 5.0mmPITCH 90°WAFER SMT TYPE	
X.±0.5	X.±5'	USE: CUSTOMER	PART NO.: A5001AWR-02-F4MB3-R
.X±0.3	.X±2'	APPD: 邵敬和	DWG NO.: JKUN-GCCP-0778
.XX±0.25	.XX±1'	CHKD: 田峰	SCALE: 1 : 1
⊕	UNITS: mm	DR: 蒋建银	SHEET: 1 / 1