

A

B

C

D

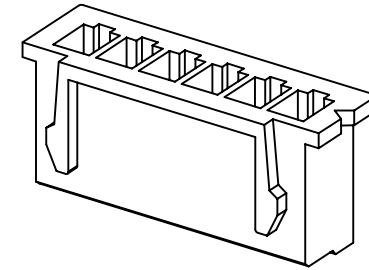
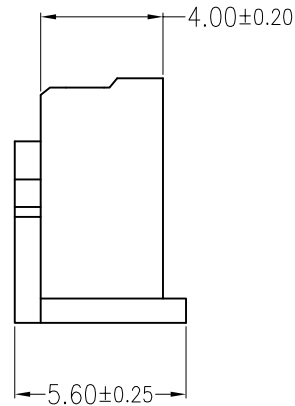
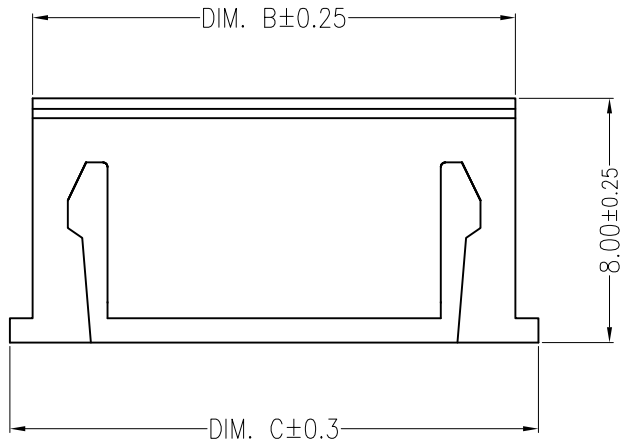
E

F

REV	DESCRIPTION	DESIGN	DATE
A0	Release	吴丹平	2017.05.19

1

1



2

2

### 主要技术参数 Main Specifications

线 数 (Poles): 02 to 16

接触电阻 (Contact resistance):  $\leq 10\text{m}\Omega$

绝缘电阻 (Insulation resistance):  $\geq 1000\text{M}\Omega$

额定电压 (Rated voltage): 250V AC DC

额定电流 (Rated current): 3.0A AC DC

耐 电 压 (Withstand Voltage): 1000V AC/minute

温度范围 (Temperature Range):  $-25^{\circ}\text{C} \sim +85^{\circ}\text{C}$

3

3

### ORDER INFORMATION:

**A2501Y-\*\*-A6W-P**

PART No. \_\_\_\_\_

No. OF CIRCUITS: \_\_\_\_\_

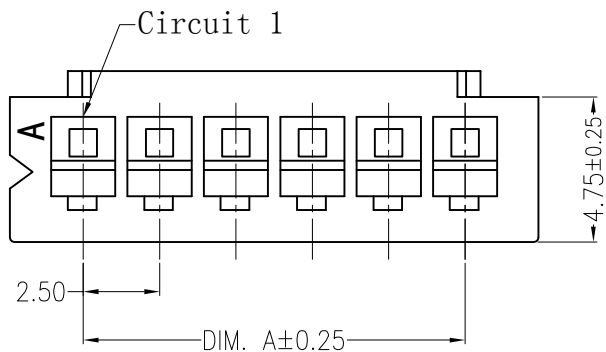
\*\*

PACKAGING:  
P=PE

PLASTIC MATERIAL:  
A6W=PA66 (WHITE)  
A3W=PA66 (WHITE)

4

4



Circuits	Dimensions (mm)		
	DIM. A	DIM. B	DIM. C
02	2.50	5.80	7.30
03	5.00	8.30	9.80
04	7.50	10.80	12.30
05	10.00	13.30	14.80
06	12.50	15.80	17.30
07	15.00	18.30	19.80
08	17.50	20.80	22.30
09	20.00	23.30	24.80
10	22.50	25.80	27.30
11	25.00	28.30	29.80
12	27.50	30.80	32.30
13	30.00	33.30	34.80
14	32.50	35.80	37.30
15	35.00	38.30	39.80
16	37.50	40.80	42.30
17	40.00	43.30	44.90
18	42.50	45.80	47.30

C					
B					
A	PEDESTAL		1 PCS	PA66	COLOR:WHITE
ITEM	COMPONENT	Q'TY	MATERIAL	FINISH	
<b>JKUN</b> 温州健坤接插件有限公司 WENZHOU JKUN CONNECTOR CO., LTD.					TITLE: - 2.5mmPITCH Housing
X.±0.5	X.±5'	USE:	CUSTOMER		
.X±0.3	.X±2'	APPD:	邵敬和		
.XX±0.25	.XX±1'	CHKD:	田峰		
--	--	DR:	吴丹平		
UNITS: mm		SCALE		SHEET	
		1 : 1		1 / 1	

5

5

A

B

C

D

E

F