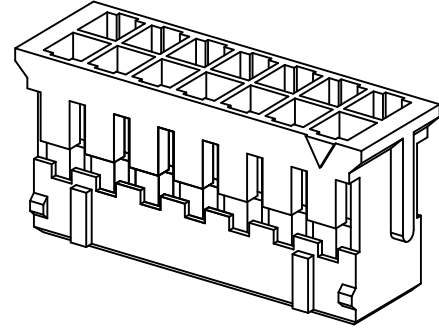
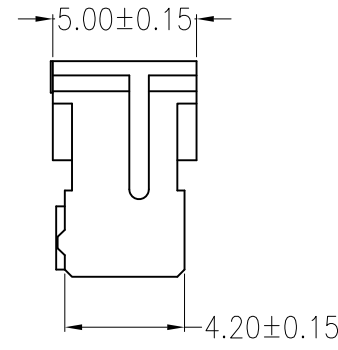
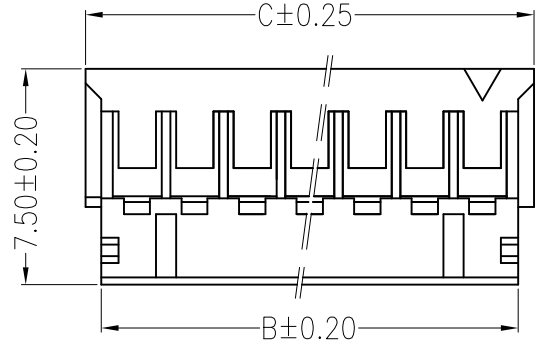


REV	ECN No.	DESCRIPTION	DESIGN	DATE
A0		Release	吴丹平	2017.03.23

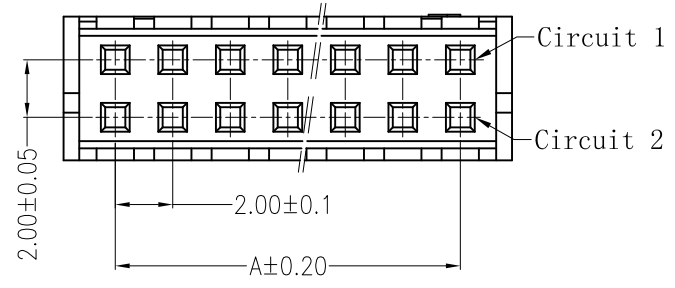


主要技术参数 Main Specifications

线 数 (Poles): 04 to 40
 接触电阻 (Contact resistance): $\leq 20m\Omega$
 绝缘电阻 (Insulation resistance): $\geq 1000M\Omega$
 额定电压 (Rated voltage): 250V AC DC
 额定电流 (Rated current): 2.0A AC DC
 耐 电 压 (Withstand Voltage): 1000V AC/minute
 温度范围 (Temperature Range): $-25^{\circ}C \sim +85^{\circ}C$

ORDER INFORMATION:

A2003Y-***-A6W-P	
PART No.:	PACKAGING: P=PE
No. OF CIRCUITS: 2X2~2X20	PLASTIC MATERIAL: A6W=PA66 (WHITE)



Circuits	Dimensions (mm)			Circuits	Dimensions (mm)		
	A	B	C		A	B	C
202 (2X2)	2.00	4.50	5.90	212 (2X12)	22.00	24.50	25.90
203 (2X3)	4.00	6.50	7.90	213 (2X13)	24.00	26.50	27.90
204 (2X4)	6.00	8.50	9.90	214 (2X14)	26.00	28.50	29.90
205 (2X5)	8.00	10.50	11.90	215 (2X15)	28.00	30.50	31.90
206 (2X6)	10.00	12.50	13.90	216 (2X16)	30.00	32.50	33.90
207 (2X7)	12.00	14.50	15.90	217 (2X17)	32.00	34.50	35.90
208 (2X8)	14.00	16.50	17.90	218 (2X18)	34.00	36.50	37.90
209 (2X9)	16.00	18.50	19.90	219 (2X19)	36.00	38.50	39.90
210 (2X10)	18.00	20.50	21.90	220 (2X20)	38.00	40.50	41.90
211 (2X11)	20.00	22.50	23.90				

ITEM	COMPONENT	Q'TY	MATERIAL	FINISH
A	HOUSING	4~30 PCS	PA66	94-V0
JKUN 温州健坤接插件有限公司 WENZHOU JKUN CONNECTOR CO.,LTD.				TITLE: - 2.00mmPITCH HOUSING
X.±0.5	X.±5'	USE:	PART NO.:	
.X±0.3	.X±2'	CUSTOMER	A2003Y-***-A6W-P	
.XX±0.25	.XX±1'	APPD: 邵敬和	DWG NO.:	
--	--	CHKD: 田峰	JKUN-GCCP-0536	
⊕	◁	UNITS: mm	DR: 吴丹平	SCALE
				SHEET
				1 : 1
				1 / 1