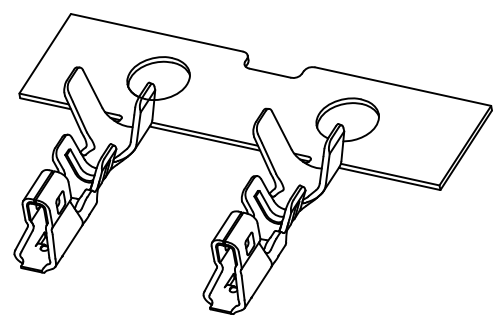
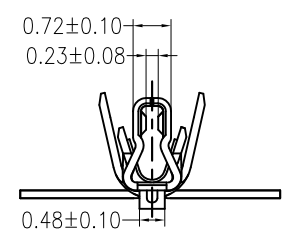
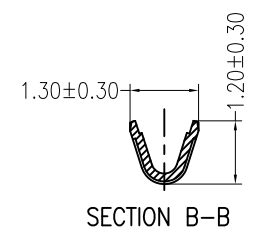
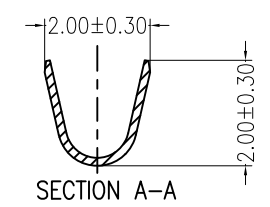
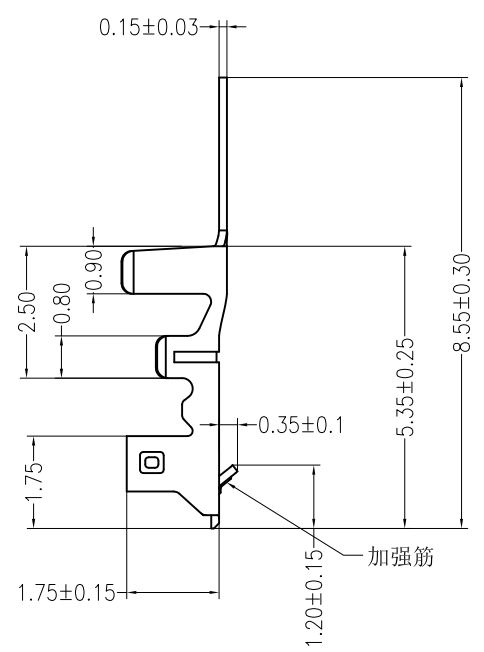
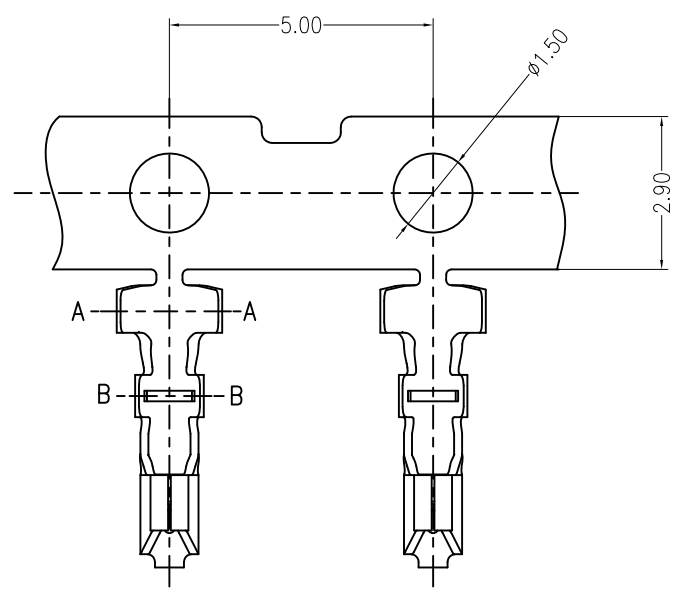


REV	DESCRIPTION	DESIGN	DATE
A	NEW RELEASE	蒋建银	2020/12/16



Ordering Information & Specification:

Part No	Wire Range	Insulation O.D.	Material	Finish	Qty/Reel
A1504T	AWG #24~#26	0.95~1.20mm	Phosphor bronze	Sn-plated	
JKUN 温州健坤接插件有限公司 WENZHOU JKUN CONNECTOR CO.,LTD.			TITLE: 1.5mm Terminal		
GENERAL TOLERANCE		USE:	PART NO.:		
X. ±0.50	X. ±5°	CUSTOMER	A1504T端子		
X.X ±0.30	X.X ±2°	APPD: 王锋	DWG NO.:		
X.XX ±0.20	X.XX ±1°	CHKD: 曾令青	JKUN-GCDZ-0077		
UNITS: mm		DR: 蒋建银	SCALE 1 : 1	SHEET 1 / 1	